

RACKS

SERVER

CABINET



Product Web Page



NS-503VN42U8080

A SERVER CABINET IS A COMBINATION OF HARDWARE STRUCTURES DESIGNED TO ACCOMMODATE TECHNICAL EQUIPMENT INCLUDING (ROUTERS, SWITCHES, HUBS, UPS, CABLES) AND, OF COURSE, SERVERS

NETWORK CABINET RACK 42U 80*80

VENTED

FEATURES

- Best sales and famous model floor rack.
- Reliable structure, static loading capacity: 800KGs (Optional castors and plinth).
- Adjustable feet and heavy duty castors are available simultaneously, moving conveniently and fixing reliably.
- Baying together easily, quickly, efficiently and firmly.
- high density vented front door and rear doors, meeting the requirements of mechanical protection and ventilation.
- Optional cable entry on top cover and bottom panel.
- Front, rear door and side panel can be removed facility, the bottom has the function of ventilation and rat-proof.
- Varies optional accessories, reliable quality.
- Optional opening hole and varies specification upon customers' special requirements.
- 7 heights: 18U, 220, 240, 27U,320,370, 42U,470 (Can customize).
- 3 depth option: 800, 900 and 1000mm.
- Flexible packing methods allows for convenient stocking and end user delivery.
- Multiple sizes available.
- Customization requests welcome.

STANDARD AND MATERIAL

Comply with

ANSI/EIA;RS-310-D;IEC297-2; DIN41491:PART1;
DIN41494:PART7; GB/T3047.2-92
Standard and ETSI standard.(grey).

SURFACE TREATMENT

degreasing,pickling, phosphoric,
powder coating.

MATERIAL

SPCC cold rolled steel.

THICKNESS

Mounting profile 2.0mm;
the others:1.0-1.2mm.

COLOR

Body color: RAL9004(black); RAL7035(grey).

DIFFERENT ANGELS



01 Top cover

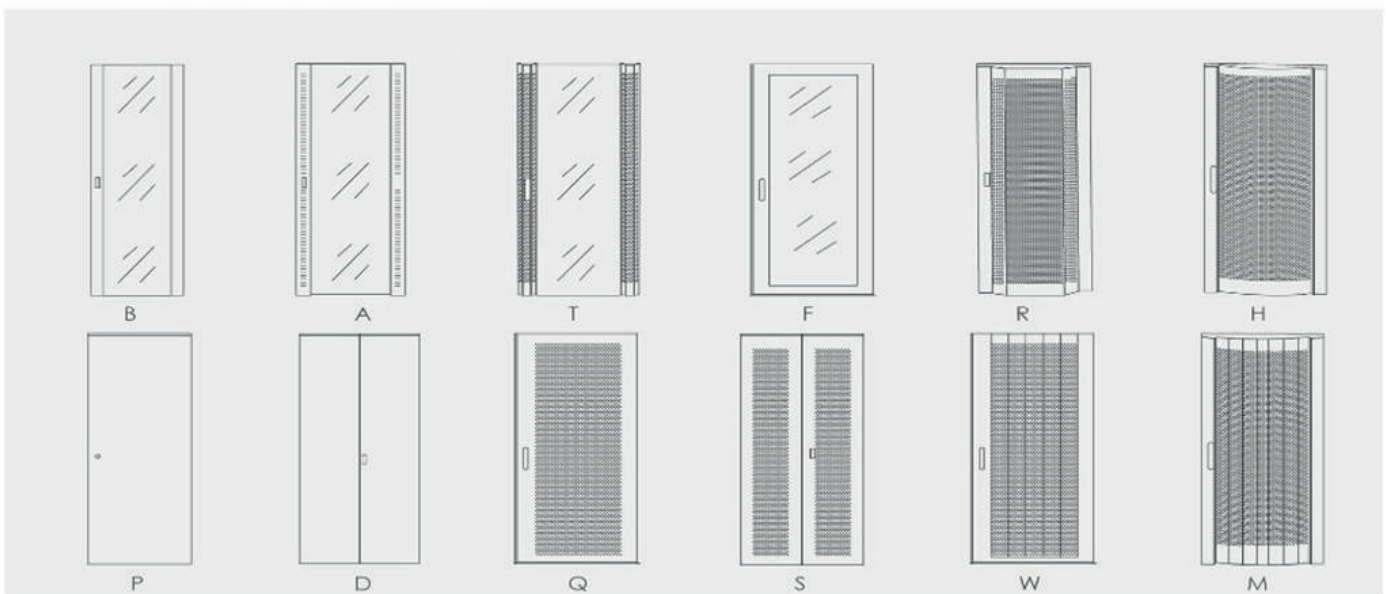


02 Mounting profile



03 Bottom panel

DOOR CATEGORY COLLECTION

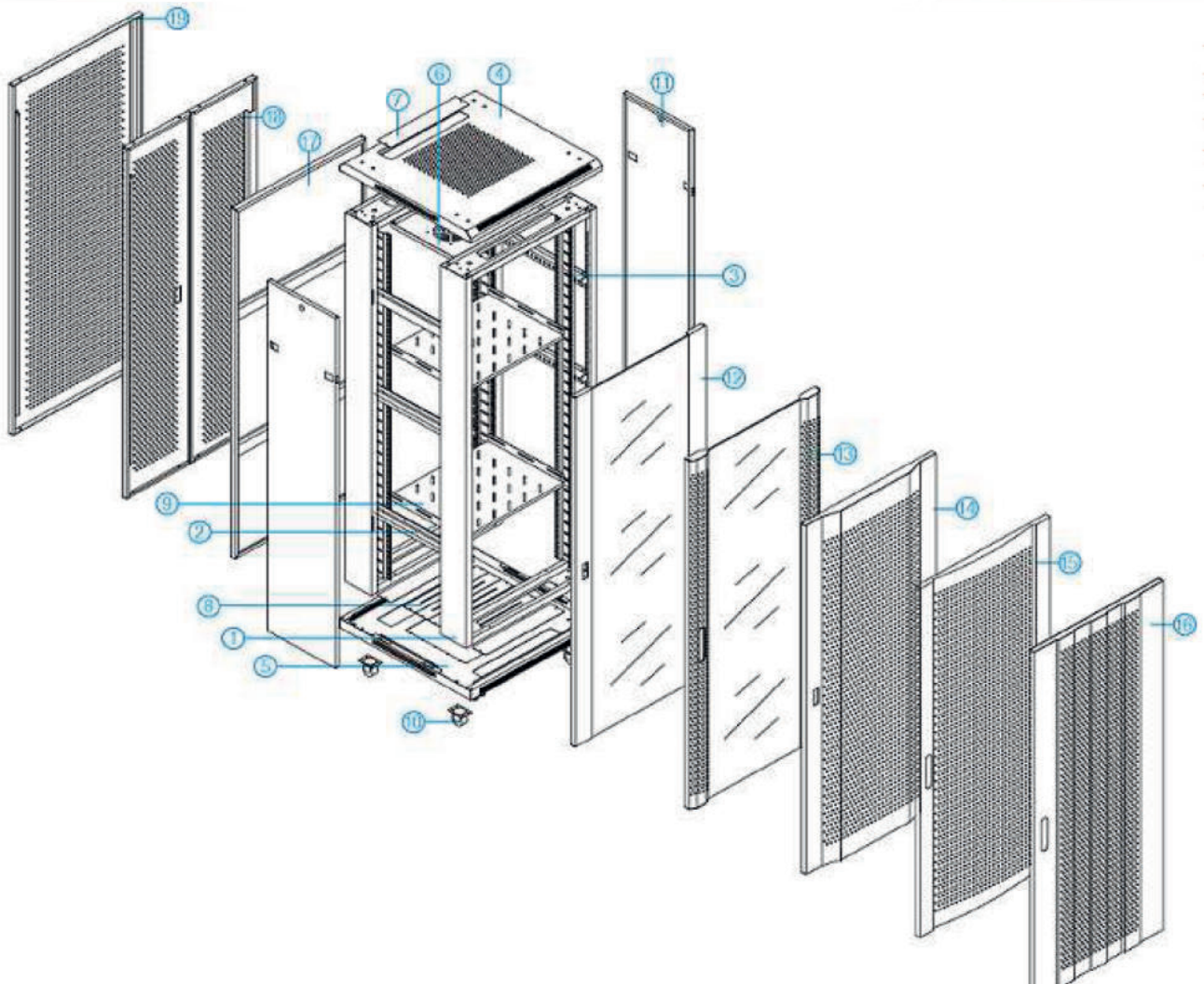


RACK LAYOUT

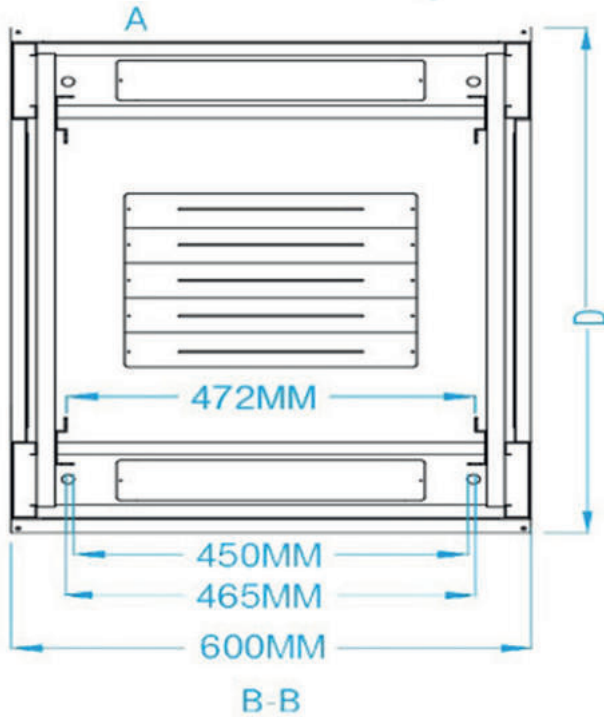
No.	Name	Qty	SPCCT (mm)
1	Frame	2 PCS	1.2
2	Mounting angle	4/6 PCS	1.2
3	Mounting Profile	4 PCS	2.0
4	Top cover	1 PCS	1.2
5	Bottom panel	1 PCS	1.2
6	Fan tray	1 PCS	1.0
7	Panel	3 PCS	1.0
8	Cable entrance panel	5 PCS	1.0
9	Fixed shelf	Quantity as request	1.2
10	Castor	4 PCS	/
11	Side panel	2 PCS	1.0
12	Tempered glass door	1 PCS	1.2
13	Front door toughened glass & plate door border	1 PCS (Quantity as request)	1.2

No.	Name	Qty	SPCCT (mm)
14	High density vented door	1 PCS (Quantity as request)	1.2
15	Front door hexagonal reticular vented door	1 PCS (Quantity as request)	1.2
16	Vented rear door	1 PCS (Quantity as request)	1.2
17	Steel front door	1 PCS	1.2
18	Double-section vented door	1 PCS (Quantity as request)	1.2
19	Front door hexagonal reticular vented plate door	1 PCS (Quantity as request)	1.2

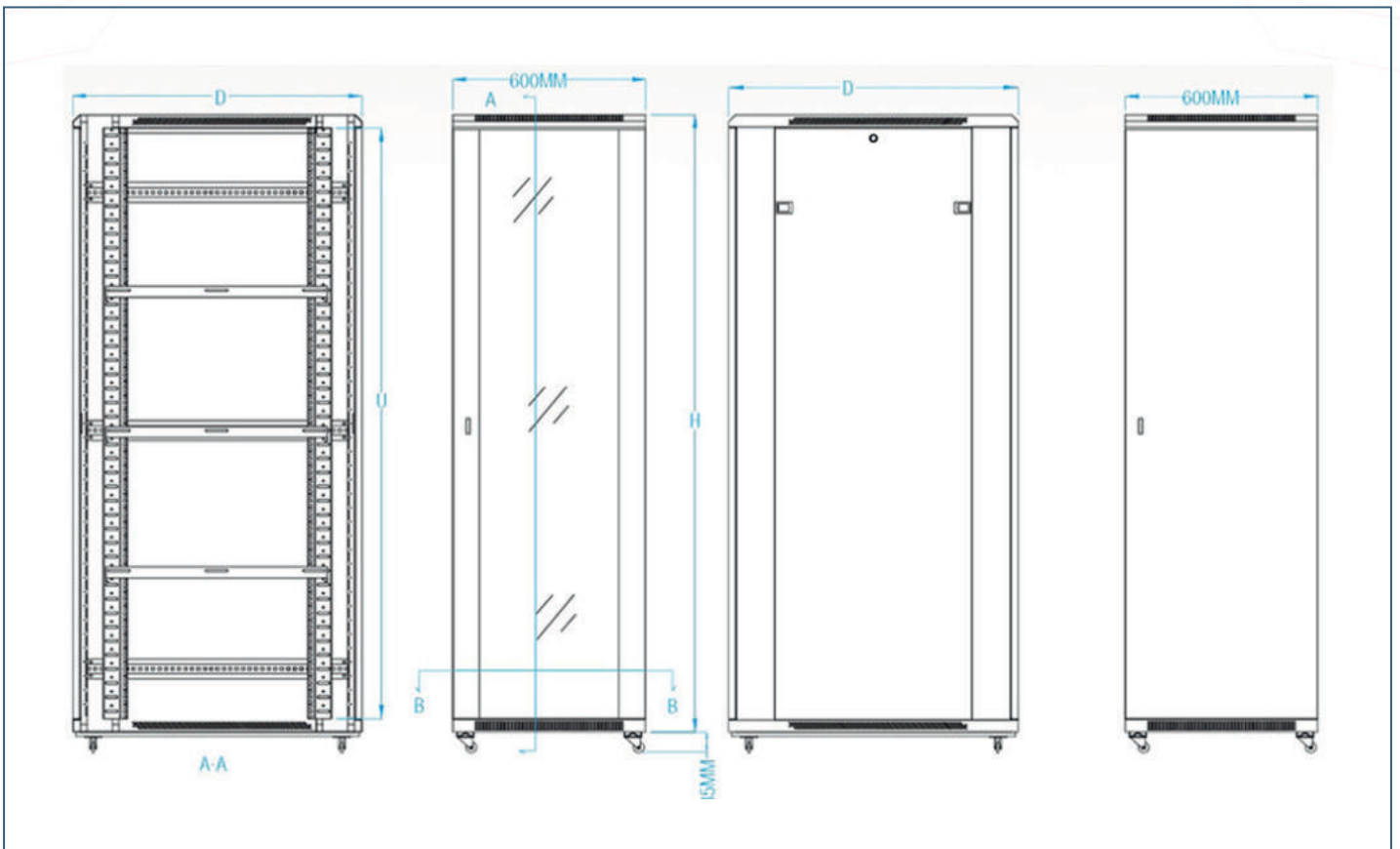
Remark: The cabinet size above 37U using 6 pcs mounting angle, under 37U using 4 pcs



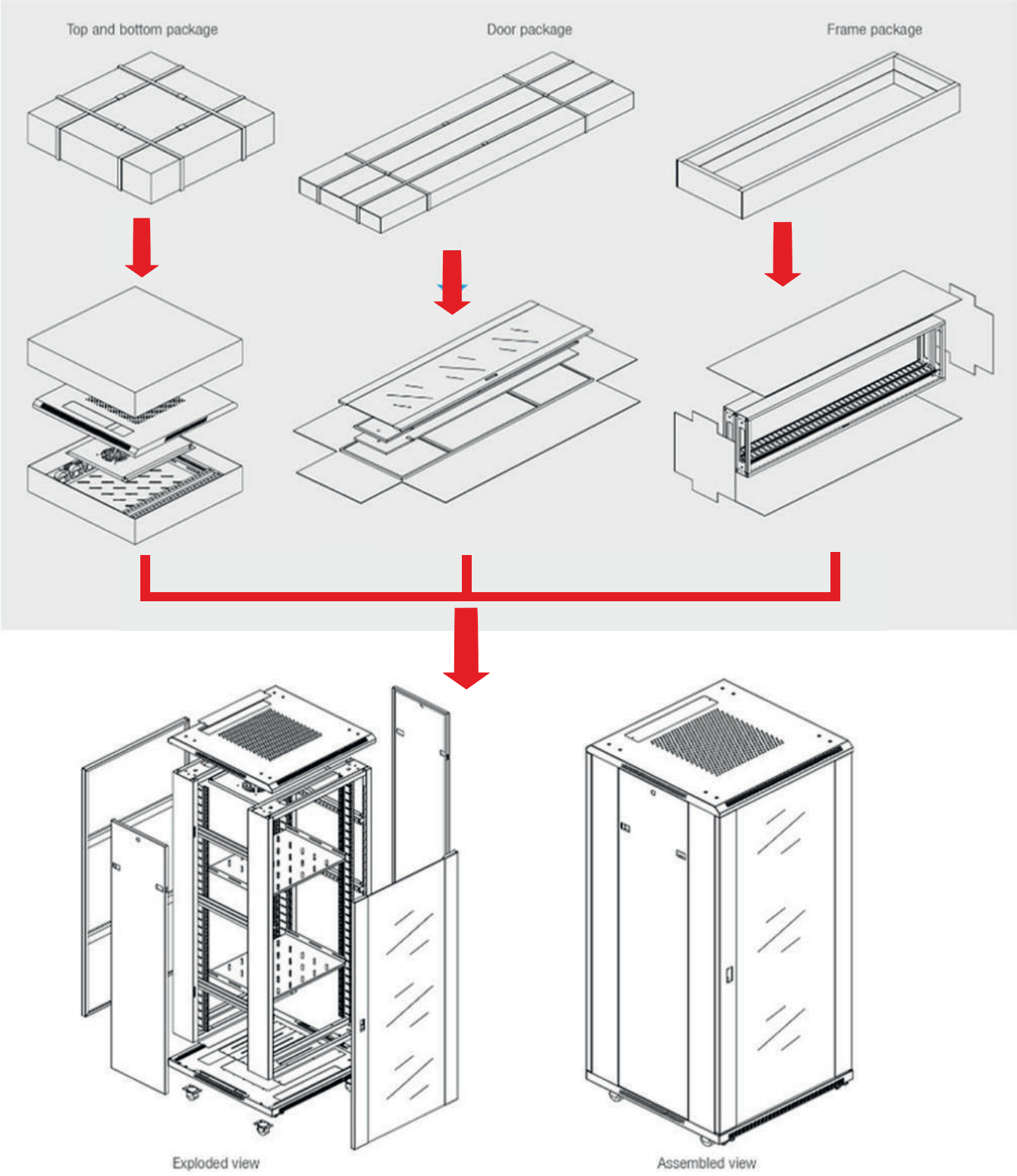
TECHNICAL SPECIFICATION



Model	U	Width	Depth	Height
NS-503GL18U6080	18	600	800	900
NS-503VN18U6080			800	
NS-503GL18U60100			1000	
NS-503VN18U60100			1000	
NS-503GL22U6080	22	600	800	1080
NS-503VN22U6080			800	
NS-503GL22U60100			1000	
NS-503VN22U60100			1000	
NS-503GL24U6080	24	600	800	1150
NS-503VN24U6080			800	
NS-503GL24U60100			1000	
NS-503VN24U60100			1000	
NS-503GL27U6080	27	600	800	1300
NS-503VN27U6080			800	
NS-503GL27U60100			1000	
NS-503VN27U60100			1000	
NS-503GL32U6080	32	600	800	1525
NS-503VN32U6080			800	
NS-503GL32U60100			1000	
NS-503VN32U60100			1000	
NS-503GL37U6080	37	600	800	1745
NS-503VN37U6080			800	
NS-503GL37U60100			1000	
NS-503VN37U60100			1000	
NS-503GL42U6080	42	600	800	1965
NS-503VN42U6080			800	
NS-503GL42U60100			1000	
NS-503VN42U60100			1000	
NS-503GL47U6080	47	600	800	2190
NS-503VN47U6080			800	
NS-503GL47U60100			1000	
NS-503VN47U60100			1000	



RACK INSTALLATION



RACK IMAGES



FRONT DOOR



REAR DOOR