



SL01-U530N

Smart Rim Digital Door Lock



Mobile App



Fingerprint



Passcode



Card



Key



Compatible With
NGTeco Home App



Introduction

The **SL01-U530N** is a smart rim lock with an innovative design that no need for a mortise, this eliminates the requirement for drilling or complex installation processes on mortise, offering a straightforward installation experience that does not compromise on security or functionality.

Additionally, the lock is WiFi-enabled, allowing users to manage it in real time and monitor access logs via the **NGTeco home** mobile app, thereby providing complete control.

The **SL01-U530N** is the optimal choice for customers who value a minimalist, uncluttered lifestyle.

Features



Wi-Fi Technology

Unlocks and manages the lock from anywhere, anytime



Auto Lock

Once the door is closed, the lock will lock automatically



Tamper Alarm

The lock will sound an alarm if someone tries to force the lock from the door



Low Battery Alert

Visual alerts will tell you the battery status



Temporary Password Sharing

Sharing access with temporary passwords for visitors



Silent Motor Technology

Ensure the locking and unlocking mechanisms do not produce any disruptive noise



Adjustable Backset

The latch length can be adjusted to 50mm, 60mm or 70mm, ensuring compatibility with different doors.



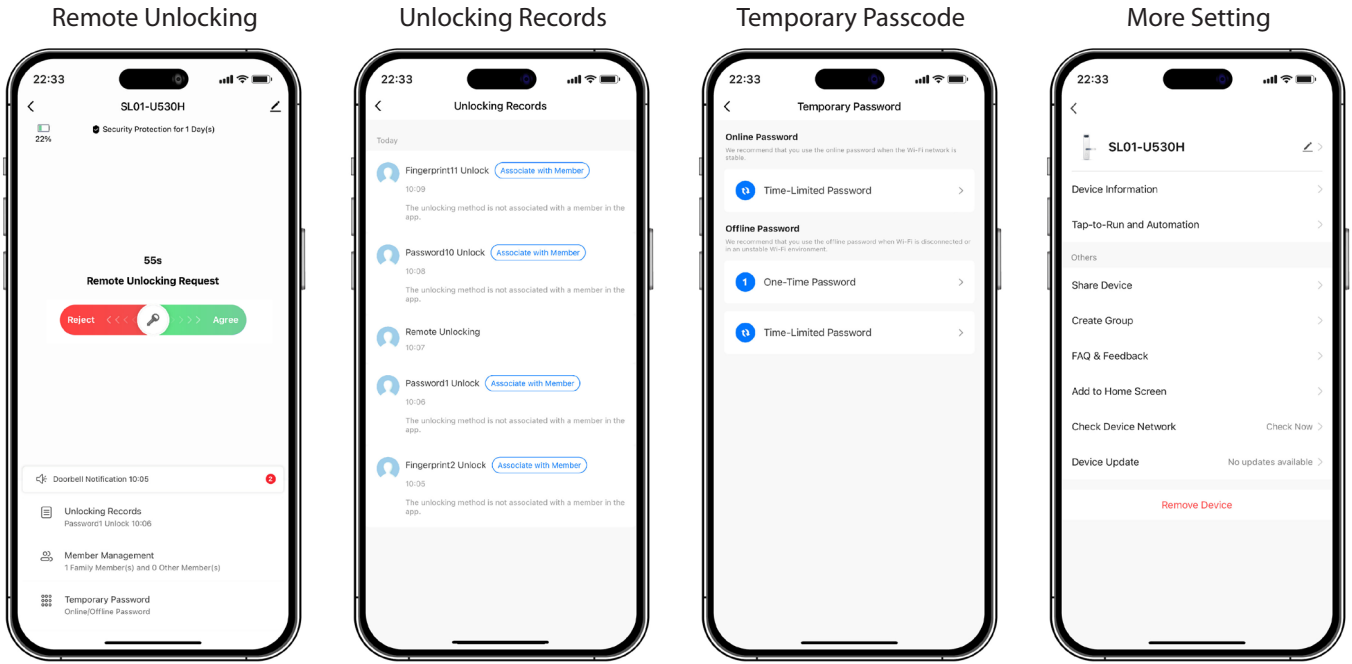
Fit for all opening direction

The opening direction can be easily adjusted to align with your door's swing

Specifications

Material	Housing Material	Aluminium Alloy
	Color Options	Black
Technical	Unlocking Methods	Fingerprint, Card, Passcode, NGTeco Home APP, Mechanical Key
	Capacity	Fingerprint: 100 Passcode: 100 Card: 100
	Fingerprint Sensor	Capacitive
	Card Reader	IC Card @13.56 MHz
	Wireless Communication	IEEE 802.11b/g/n (2.4GHz Wi-Fi)
	Emergency Power	USB Type-C Interface, DC 5V
	Power Supply	4x AA Alkaline Batteries
	Supported App	NGTeco Home
	Door Compatibility	Door Type
Door Thickness		25 to 50mm
Opening Direction		All Direction (reversible lever design)
General	Product Dimensions (HxWxT)	Front: 179*72*20mm Back: 167.5*88.5*40.5mm
	Operating Temperature	-20°C to 55°C (-4°F to 131°F)
	Operating Humidity	10% to 90% RH (Non-condensing)
	Certifications	CE
Package Contents	Exterior Assembly, Interior Assembly, IC Card * 2, Mechanical Key * 2, Studs & Screws Kit, Installation Template, Installation Guide, User Manual	

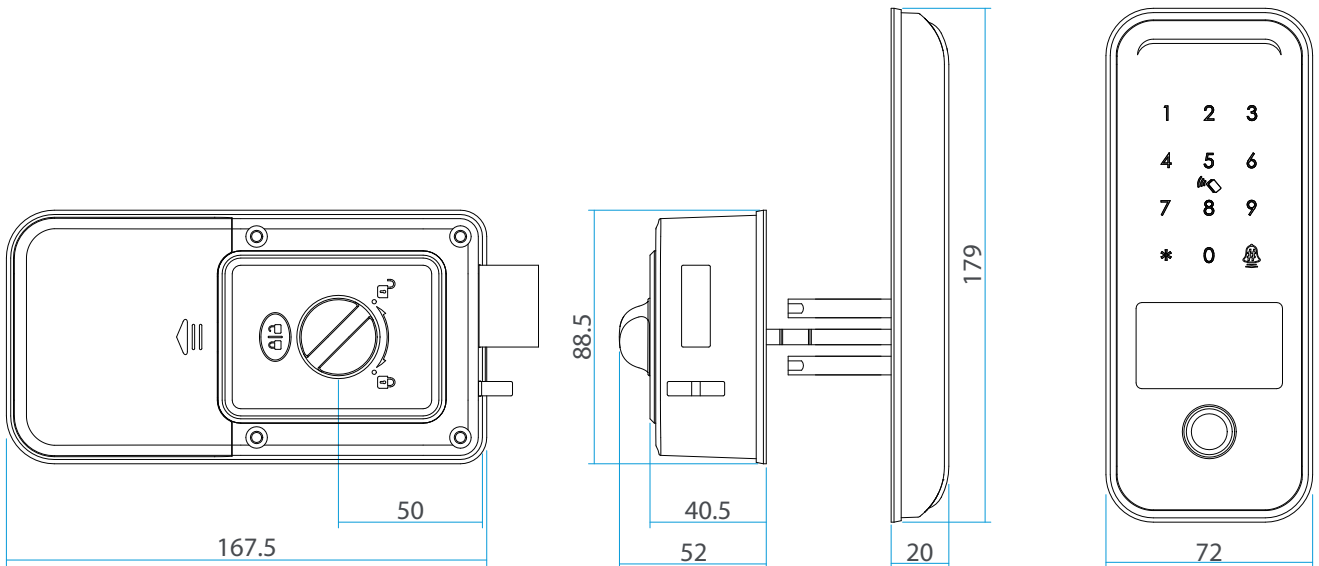
Mobile Application



Compatible With
NGTECO Home App



Dimensions(mm)



NGTECO CO., LIMITED

www.ngteco.com

service.ng@ngteco.com



V1.0 09/24/2024

Copyright © 2024 NGTECO CO., LOIMITED. All rights reserved.