

WALLPLATES FACEPLATE



Product Web Page



NS-FP70115-SH-2

A FACEPLATE IN NETWORKING IS THE INTERFACE BETWEEN YOUR NETWORKING CABLES AND YOUR DEVICES. THIS LITTLE PIECE ENSURES A SEAMLESS FLOW OF DATA AND SIGNALS FROM ONE PLACE TO ANOTHER.

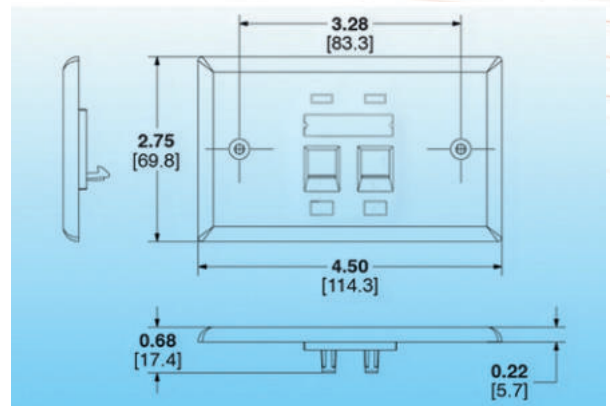
FACE PLATE, 70 x 115, SHUTTER, 2-PORT, WHITE

DESCRIPTION

Face Plate, US type, 70 x 115, With Shutter, Double Port, and labeling plate, White

FEATURES

- Flexible design of edge.
- UTP and STP keystone.
- Work with RJ45 keystone jack, junction box and networking adapters.
- Compact design and easy to snap-in and snap-out.
- Made of Durable high quality ABS, UL94V-0 plastic.
- Type of Cabling: Copper Cabling.



APPLICATIONS

Suitable for data centers, central room, industrial facilities, etc.
For any standard keystone jack specification.

Snap-in	No. of Port	Faceplate Type	Pack Type	Material	color	Certification
Cat.5e/Cat.6/Cat.6A Keystone Jack	2 Port	70*115 mm	Bag	Plastic ABS	White	CE, UL, ROHS, ETL