

# WALLPLATES FACEPLATE



Product Web Page



## NS-FP70115-SH-1

A FACEPLATE IN NETWORKING IS THE INTERFACE BETWEEN YOUR NETWORKING CABLES AND YOUR DEVICES. THIS LITTLE PIECE ENSURES A SEAMLESS FLOW OF DATA AND SIGNALS FROM ONE PLACE TO ANOTHER.

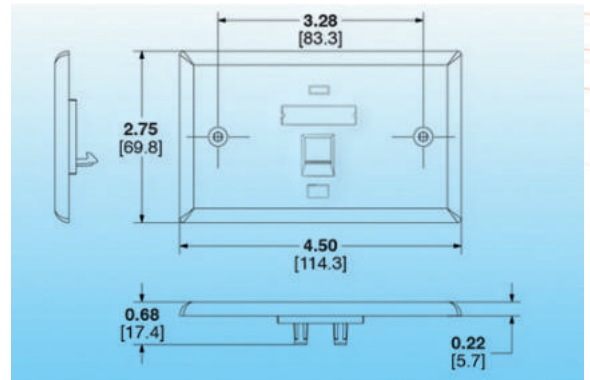
## FACE PLATE, 70 x 115, SHUTTER, 1-PORT, WHITE

### DESCRIPTION

Face Plate, US type, 70 x 115, With Shutter, Single Port, and labeling plate, White

### FEATURES

- Flexible design of edge.
- UTP and STP keystone.
- Work with RJ45 keystone jack, junction box and networking adapters.
- Compact design and easy to snap-in and snap-out.
- Made of Durable high quality ABS, UL94V-0 plastic.
- Type of Cabling: Copper Cabling



### APPLICATIONS

Suitable for data centers, central room, industrial facilities, etc.  
For any standard keystone jack specification.

| Snap-in                              | No. of Port | Faceplate Type | Pack Type | Material    | color | Certification     |
|--------------------------------------|-------------|----------------|-----------|-------------|-------|-------------------|
| Cat.5e/Cat.6/Cat.6A<br>Keystone Jack | 1 Port      | 70*115 mm      | Bag       | Plastic ABS | White | CE, UL, ROHS, ETL |