

DS-K6B411TMX
Value Smart Swing Barriers

- Supports AP mode for mobile Web, for Android phones to access more easily by a simple touch via NFC function.
- Supports built-in face recognition camera module on the top of cover, easy and convenient.
- Anti-passback: Supports cross-device anti-passback function, effectively preventing unauthorized personnel from following in.
- WEB management: Supports mobile Web and PC Web management, and can perform operations such as personnel management, parameter configuration, event query, and system maintenance.
- Fire linkage: The equipment has a fire linkage interface. When the fire signal is triggered, the barrier will be open automatically for emergency evacuation.
- Barrier is in free status when powering down, allowing people to pass freely. Super capacitor (optional) can realize automatic door opening in case of power failure.

▪ Specification

System	
Motor	Brushless Motor
MCBF	≥ 5 million times
IR light detectors	6 pairs
Brake	Not support
Image	
Resolution	600 × 1024
Video	
Lens	Prime Lens
Video compression standard	H.264
Resolution	200 MP
WDR	Support
Video standard	PAL by default, support NTSC
HOV	Horizontal: 75° Vertical: 139°
Audio	
Audio compression standard	G.711U
Audio compression bitrate	64 Kbps
Audio output	Support
Volume adjustment	Support
Power output	5.5W
Network	
Wired network	Support,10M/100M
Wi-Fi	Not support
Interface	
Network interface	1
Lock control	0
Exit button	2
Alarm output	4
RS-485	2
RS-232	0
Wiegand	0
USB	2
Fire alarm input	2
Case input	2
Hardware	
Access controller	Supplied
Supercapacitor	Supplied
Network switch	Not supplied
Capacity	
Face capacity	100,000
Card capacity	200,000
Event capacity	100,000

Authentication	
Face recognition distance	0 m to 2 m
Face recognition accuracy rate	> 99%
Face recognition duration	< 200 ms
Card	M1 card
Card reading frequency	13.56 MHz
Card reading distance	3cm
Card reading duration	< 1s
Function	
Configuration via PC Web	Support
Configuration via mobile Web	Support
Hik-Connect	Not support
Multi-factor authentication	Support
Face anti-spoofing	Support
Built-in face recognition	Support
Communication protocol	ISAPI,TCP/IP
Keyfob	Supplied,433 MHz/868 MHz
General	
Lane width	550 mm to 1400 mm (21.65" to 55.12")
Barrier material	8 mm acrylic glass,1.5 mm stainless pipe
Pedestal material	SUS304 stainless steel 1.2 mm
Indicator	Lane status indicator, authentication indicator and barrier light
Power consumption	100 W
Working temperature	-15 °C to 65 °C (5 °F to 149 °F)
Working humidity	10% to 95% (No condensing)
Protective level	IPX4
Dimensions	Without package: 1205 mm × 199 mm × 1072 mm (47.44" × 7.83" × 42.21") With package: 1405 mm × 345 mm × 1195 mm (55.31" × 13.58" × 47.05")
Weight	Net: Left: 34.42 kg (75.88 lb) Middle: 35.53 kg (78.33 lb) Right: 34.2 kg(75.48 lb) Gross: Left: 41.48 kg (91.45 lb) Middle: 42.59 kg (93.89 lb) Right: 41.26 kg (90.96 lb)
Approval	CE/CB/RoHS/REACH/WEEE
Power supply method	M: 100-120V~/200-240V~,50Hz/60Hz,1.6A L/R: 100-240V~,50Hz/60Hz,0.8A
Language	English, French, Portuguese (Brazil), Spanish, Russian, German, Italian, Polish, Arabic, Turkish, Vietnamese, Hungarian, Dutch, Romanian, Czech, Bulgarian, Ukrainian, Croatian, Serbian, Greek, Portuguese, Slovak
Interconnecting cable length	5.5m
Door open duration	5 to 60 sec

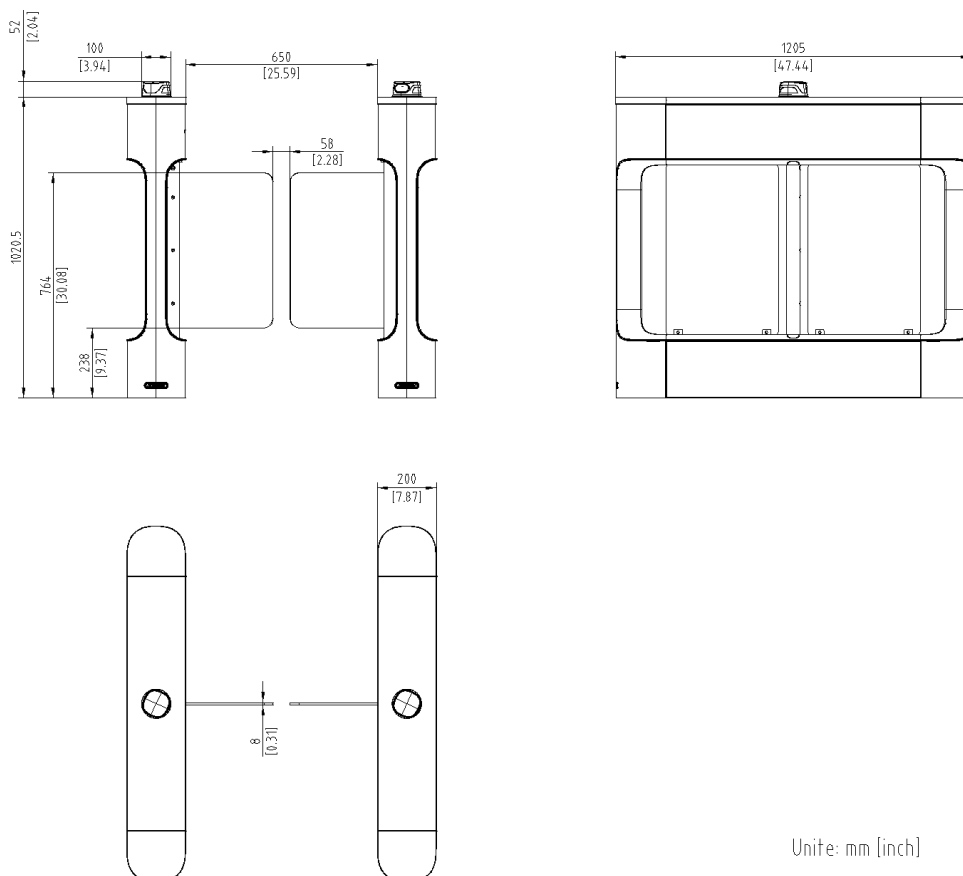
Configuration

Module selection	NO
------------------	----

▪ **Available Model**

DS-K6B411TMX

▪ **Dimension**



Unit: mm [inch]

▪ **Accessory**

▪ **Included**

DS-K3B411X-BAS

E

Fixed Base



Headquarters

No.555 Qianmo Road, Binjiang District,
Hangzhou 310051, China
T +86-571-8807-5998
www.hikvision.com



Follow us on social media to get the latest product and solution information.

