

Since 1968

COMMAX
SmartHome & Security

User Manual

DR-24ML



www.commax.com

COMMAX Co.,Ltd.



- Thank you for purchasing COMMAX products.
- Please carefully read this User's Guide (in particular, precautions for safety) before using a product and follow instructions to use a product exactly.
- The company is not responsible for any safety accidents caused by abnormal operation of the product.



Contents

Introduction	2
Important Safeguard	3
1. Overview	4
2. How to use	5
3. Wiring	6
4. How to install	8
5. PART LIST	9
6. Specification	10



Introduction

Your unit is designed so it can be flush mounted on the or used. When flush mounted on the wall, the stand permits you to the unit for an gular of unit view. The model number is located on the bottom and record the serial number in the space provided below(available). Refer to these numbers whenever you call upon your COMMAX dealer regarding this product.

Model No.

Serial No.

To prevent fire or shock hazard, do not expose the unit to rain or moisture.



This symbol is intended to alert the use to the presence of uninsulated **"dangerous Voltage"** within the product' s enclose that may be of sufficient magnitude to constitute a risk of electric shock to persons.



This symbol is intended to alert the use to the presence of important operating and maintenance(servicing) instructions in the literature accompanying the appliance



caution

Risk of electric shock
do not open



CAUTION : To reduce the risk of electric shock, do not remove cover(or back) no user-serviceable part inside refer servicing to qualified service personnel

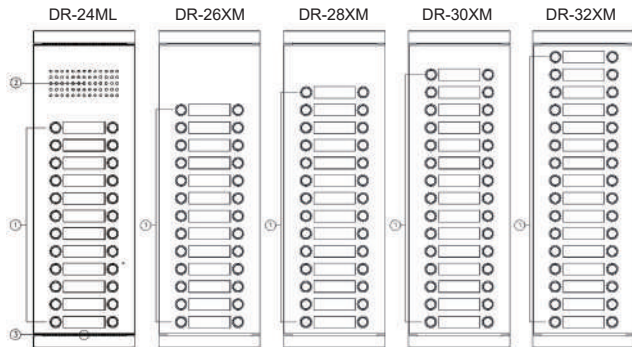


Important Safeguard

- ▲ **Damage Requiring Service:** This equipment from the power source and source and refer servicing to qualified service personnel under the following conditions:
 - Ⓐ when the power is damaged.
 - Ⓑ if liquid has been spilled or objects have fallen into the unit
 - Ⓒ if the equipment has been exposed to rain or water.
 - Ⓓ if the equipment has been dropped or otherwise damaged.
 - Ⓔ when the equipment exhibits a distinct change in performance- this indicates a need for service.
- ▲ **Water and Moisture:** Do not use this product near water, for example, near a bath tub, wash bowl, kitchen sink, or laundry tub, in a wet basement, or near a swimming pool, and the like.
- ▲ **Accessories:** The product may fall, causing serious injury to a child or adult, and serious damage to the appliance. Any mounting of the manufacture' s instructions, and should use a mounting accessory recommended by the manufacturer.
- ▲ **Object and Liquid Entry:** Never push objects of any kind into this product through openings as they may touch dangerous voltage points or short-out parts that could result in a fire or electric shock. Never spill liquid of any kind on the product.
- ▲ **Lightning:** For added protection for this product before a lightning storm, or when it is left un attached and un used for long periods of time, unplug it from the wall outlt and disconnect the other system. This will prevent damage to the product due to lightning and power-line surges. If you live in an area heavily prone to lightning storms, it is recommended that you invest in power-line, telephone-line, RFcable and actuator/ polarization surge protectors to protect your appliance system from possible damage



1. Overview



No.	Functions	No.	Functions	No.	Functions
1	Call button	2	Speaker	3	C-MIC



2. How to use

Notice

1. DR-24ML is available to call to a household or talk with a resident as Master unit.
2. Please install DR-nXM together with DR-24ML. (n : 26/28/30/32 buttons)

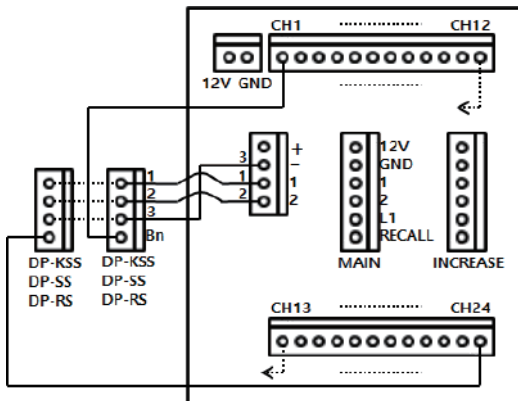
DR-nXM is only available to call to a household as this is just a product to extend the number of households on the DR-24ML.

- * When you press the call button to a desired resident, the calling sound rings
(Notice : The calling sound rings while you only press the call button)
- * You can talk with a resident when they answer your call

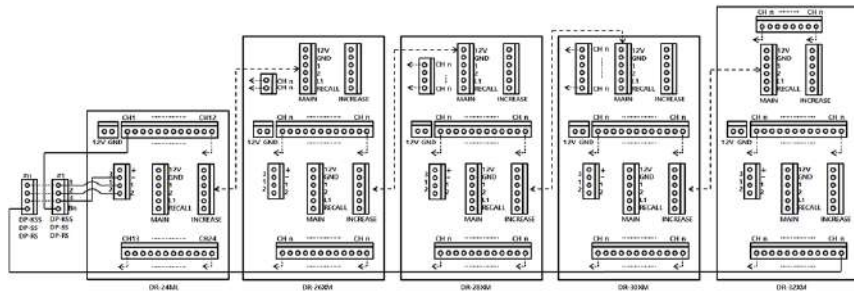


3. Wiring

(1)DR-24ML installation



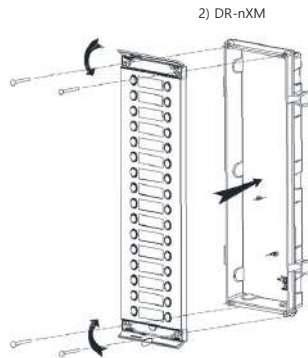
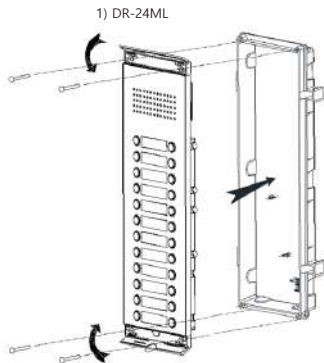
(2) DR-24ML installation with DR-nXM



Warning) Please pay attention to the wiring sequence when wiring.



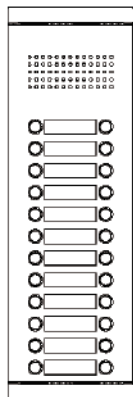
4. How to install



Refer) It must cover the cover after fasten the screws.



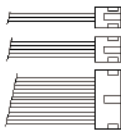
5. PART LIST



DR-24ML



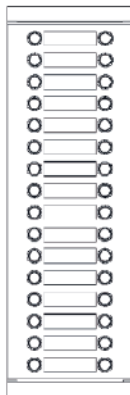
(M)4x20mm
Product Fix Screw



2P(1EA) / 4P(1EA)
12P(2EA) Connector



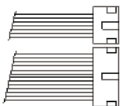
Manual



DR-nXM

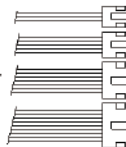


(M)4x20mm
Product Fix Screw



6P(1EA) / 12P(2EA)
Connector

+



DR-26XM : 2P(1EA)

DR-28XM : 4P(1EA)

DR-30XM : 6P(1EA)

DR-32XM : 8P(1EA)



6. Specification

Model No.	DR-24ML, DR-nXM		
Power source	DC12V, 1.5A		
Wiring	Common 3 wires + Individual 1 wire		
	[3 wires : 1,2,3] + [1 wire : L1]		
Communication	Hands-free		
Temperature	-10°C(tested up to -40°C) ~ +50°C		
Dimension(mm)	130(W) x 405(H) x 50(D)		
Communication	Diameter	Φ 0.5	Φ 0.65
Distance	Distance	30 meters	50 meters



MEMO

A large, empty rectangular box with rounded corners, intended for writing a memo.

COMMAX

COMMAX Co.,Ltd.

513-11, Sangdaewon-dong, Jungwon-gu, Seongnam-si, Gyeonggi-do, Korea
Int'l Business Dept. : Tel.; +82-31-7393-540~550 Fax.; +82-31-745-2133
Web site : www.commax.com

Edited.2020.07.13

Printed In Korea / 2020.07.105